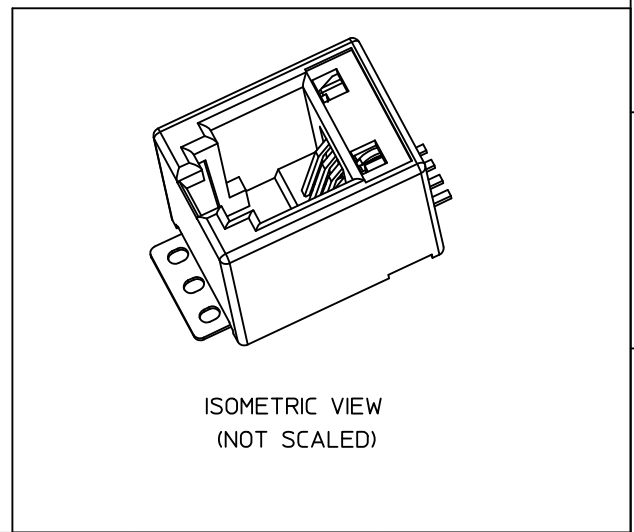
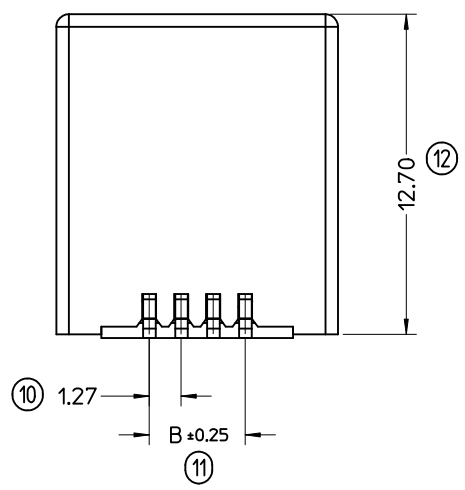


NOTES:

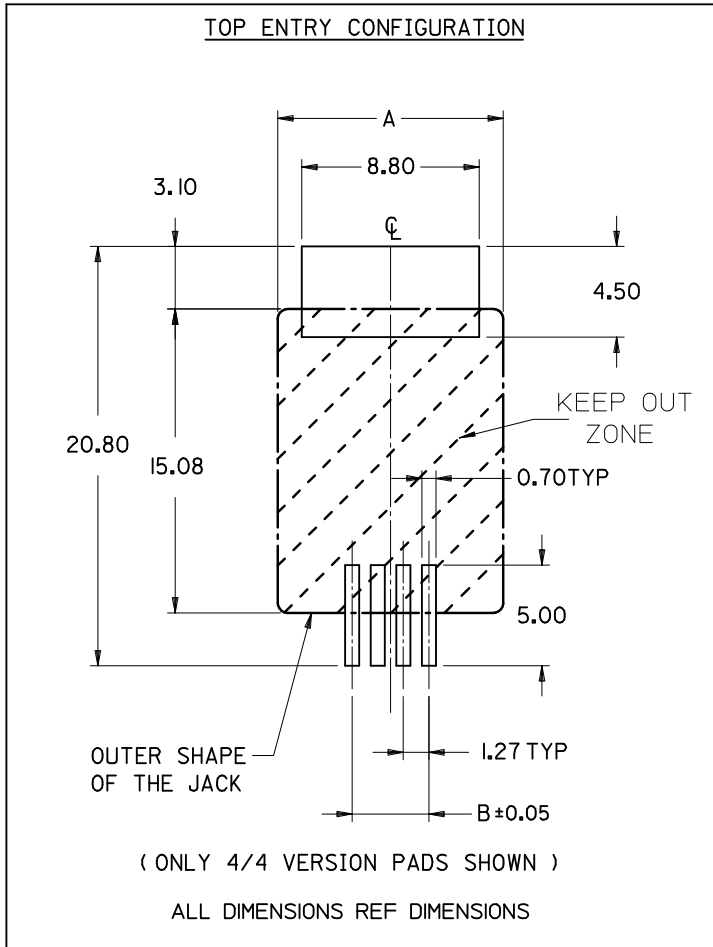
- 1- MATERIAL:
 - HOUSING:LCP GLASS FILLED UL 94-V0, COLOUR BLACK,
 - TERMINAL: COPPER ALLOY PLATED WITH:
 - PLATING 2: 0.00127 MIN GOLD IN CONTACT AREA, 0.00190 MIN PURE TIN IN TAIL AREA, BOTH OVER 0.00127 MIN NICKEL OVERALL.
 - PLATING 6: POST PLATE 0.00005 MIN GOLD FLASH OVER 0.00100 MIN PALLADIUM-NICKEL IN CONTACT AREA, 0.00190 MIN PURE TIN IN TAIL AREA, BOTH OVER 0.00127 MIN NICKEL OVERALL.
- 2- JACK FOR MATING WITH F.C.C.68 PLUGS (MOLEX 90075 SERIES).
- 3- PRODUCT SPECIFICATION: PS-85513-002.
- 4- PACKAGING SPECIFICATION (SEE CHART SHEET2):
 - PK-85513-001 SHEET 3 (BLISTER ON REEL 13")
 - PK-85513-001 SHEET 1 (BLISTER ON REEL 15")
 - PK-85513-001 SHEET 2 (BLISTER ON REEL 22")
- 5- FLAT SURFACE ON BOTH SIDES FOR PICK AND PLACE PURPOSE
- 6- COPLANARITY OF LEADS AND TABS: 0.10 MAX
- 7- SEE RECOMMENDED PCB LAYOUT ON SHEET 2
- 8- FOR DRAWING PURPOSE, ONLY 4/4 VERSION SHOWN.
- 9- MANUFACTURING I.D CAN BE EITHER MXF,MG OR MXI.
- 10- APPLICATION SPEC AS-85513-001

LAST INSPECTION No: 12



ADDED PLATING OPTIONS EC NO: E2012-0079 DRWN: JOCONNOR 2011/03/16 CHKD: APPR: EFOLAN 2011/09/28	DESCRIPTION REV	QUALITY SYMBOLS	GENERAL TOLERANCES (UNLESS SPECIFIED)	DIMENSION STYLE	SCALE	DESIGN UNITS	THIRD ANGLE PROJECTION	
		$\nabla=0$ $\nabla C=0$	mm INCH 4 PLACES ± --- ± --- 3 PLACES ± --- ± --- 2 PLACES ± 0.15 ± --- 1 PLACE ± 0.25 ± --- ANGULAR ± 2 °	MM ONLY	5:1	METRIC		
		DRAWN BY: DBYRNES CHECKED BY: EOMAHONY APPROVED BY: EOMAHONY	DATE: 2006/08/17 DATE: 2006/08/17 DATE: 2006/08/17	TITLE	LOW PROFILE TOP ENTRY TRUE SMT JACK WITH P&P SURFACE(SHORT VERSION)			
		MATERIAL NO.	DOCUMENT NO.	SHEET NO.	MOLEX INCORPORATED SD-85513-010 1 OF 2			
DRAFT WHERE APPLICABLE MUST REMAIN WITHIN DIMENSIONS		SIZE A3	THIS DRAWING CONTAINS INFORMATION THAT IS PROPRIETARY TO MOLEX INCORPORATED AND SHOULD NOT BE USED WITHOUT WRITTEN PERMISSION					

RECOMMENDED PCB LAYOUTS
(SEE FROM COMPONENT SIDE)



PART. NO.	PLATING	HOUSING SIZE	LOADED CKTS	TOOLED	A	B	PACKAGING	PACKAGING SPEC.
85513-5013	2	8	8	YES	15.24	8.89	BLISTER ON REEL 13'	PK-85513-001 SHEET 3
85513-7013	6			YES			BLISTER ON REEL 15'	PK-85513-001 SHEET 1
85513-5001	2			YES			BLISTER ON REEL 22'	PK-85513-001 SHEET 2
85513-7001	6			YES			BLISTER ON REEL 13'	PK-85513-001 SHEET 3
85513-5009	2	6	6	YES	13.21	6.35	BLISTER ON REEL 15'	PK-85513-001 SHEET 1
85513-7009	6			YES			BLISTER ON REEL 22'	PK-85513-001 SHEET 2
85513-5014	2			YES			BLISTER ON REEL 13'	PK-85513-001 SHEET 3
85513-7014	6			YES			BLISTER ON REEL 15'	PK-85513-001 SHEET 1
85513-5002	2	6	4	YES	13.21	3.81	BLISTER ON REEL 22'	PK-85513-001 SHEET 2
85513-7002	6			YES			BLISTER ON REEL 13'	PK-85513-001 SHEET 3
85513-5010	2			YES			BLISTER ON REEL 15'	PK-85513-001 SHEET 1
85513-7010	6			YES			BLISTER ON REEL 22'	PK-85513-001 SHEET 2
85513-5015	2	4	4	YES	11.18	3.81	BLISTER ON REEL 13'	PK-85513-001 SHEET 3
85513-7015	6			YES			BLISTER ON REEL 15'	PK-85513-001 SHEET 1
85513-5003	2			YES			BLISTER ON REEL 22'	PK-85513-001 SHEET 2
85513-7003	6			YES			BLISTER ON REEL 13'	PK-85513-001 SHEET 3
85513-5011	2	4	4	YES	11.18	3.81	BLISTER ON REEL 15'	PK-85513-001 SHEET 1
85513-7011	6			YES			BLISTER ON REEL 22'	PK-85513-001 SHEET 2
85513-5016	2			YES			BLISTER ON REEL 13'	PK-85513-001 SHEET 3
85513-7016	6			YES			BLISTER ON REEL 15'	PK-85513-001 SHEET 1
85513-5004	2	4	4	YES	11.18	3.81	BLISTER ON REEL 22'	PK-85513-001 SHEET 2
85513-7004	6			YES			BLISTER ON REEL 13'	PK-85513-001 SHEET 3
85513-5012	2			YES			BLISTER ON REEL 15'	PK-85513-001 SHEET 1
85513-7012	6			YES			BLISTER ON REEL 22'	PK-85513-001 SHEET 2

SEE SHEET 1 EC NO: E2012-0079 DRWN: JCONNOR 2011/03/16 CHKD: APPR: EFOLAN 2011/09/28	QUALITY SYMBOLS	GENERAL TOLERANCES (UNLESS SPECIFIED)	DIMENSION STYLE	SCALE	DESIGN UNITS	THIRD ANGLE PROJECTION	
	▽=0 ∇=0	mm INCH 4 PLACES ± --- ± --- 3 PLACES ± --- ± --- 2 PLACES ± 0.15 ± --- 1 PLACE ± 0.25 ± --- ANGULAR ± 2 °	MM ONLY	1:1	METRIC		
		DRAFT WHERE APPLICABLE MUST REMAIN WITHIN DIMENSIONS	DRAWN BY: DBYRNES CHECKED BY: EOMAHONY APPROVED BY: EOMAHONY MATERIAL NO.	DATE: 2006/08/17 DATE: 2006/08/17 DATE: 2006/08/17	TITLE: LOW PROFILE TOP ENTRY TRUE SMT JACK WITH P&P SURFACE(SHORT VERSION) MOLEX INCORPORATED		
			SEE CHART	SD-85513-010	SHEET NO. 2 OF 2		

THIS DRAWING CONTAINS INFORMATION THAT IS PROPRIETARY TO MOLEX INCORPORATED AND SHOULD NOT BE USED WITHOUT WRITTEN PERMISSION