

LCR-8200A/LCR-8200 Series Specifications

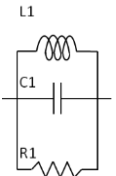
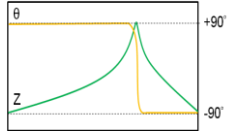
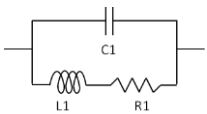
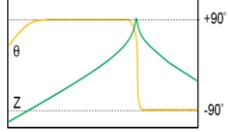
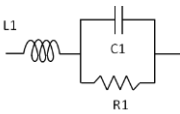
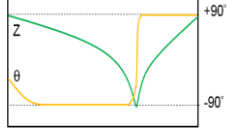
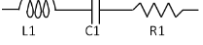
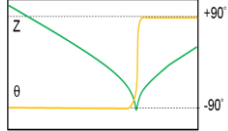
The specifications apply when the LCR-8200A/LCR-8200 series are powered on for at least 60 minutes.

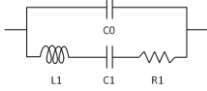
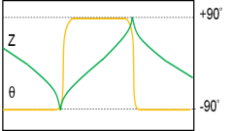
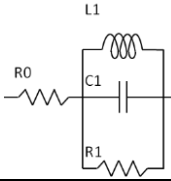
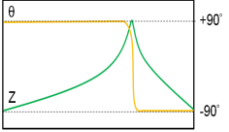
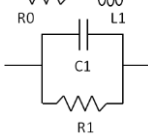
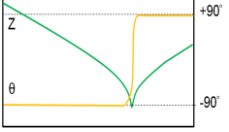


| SPECIFICATION | | | | | | |
|------------------------|--|--|--|--|---|---|
| MODEL | LCR-8250A | LCR-8230A | LCR-8220A | LCR-8210A | LCR-8205A | ----- |
| | ----- | LCR-8230 | LCR-8220 | LCR-8210 | LCR-8205 | LCR-8201 |
| TEST FREQUENCY | | | | | | |
| | DC, 10Hz~50MHz; 6 Digits, ±0.0007% | DC, 10Hz~30MHz; 6 Digits, ±0.0007% | DC, 10Hz~20MHz; 6 Digits, ±0.0007% | DC, 10Hz~10MHz; 6 Digits, ±0.0007% | DC, 10Hz~5MHz; 6 Digits, ±0.0007% | DC, 10Hz~1MHz; 6 Digits, ±0.0007% |
| OUTPUT IMPEDANCE | | | | | | |
| | 25Ω / 100Ω SELECTABLE | | | | | |
| BASIC ACCURACY | | | | | | |
| | ±0.08% | | | | | |
| TEST SPEED | | | | | | |
| | MAX: 2.5ms(>10kHz), FAST: 50ms(>20Hz), MEDIUM: 100ms SLOW: 300ms, SLOW2: 600ms | | | | | |
| TEST SIGNAL LEVEL | | | | | | |
| AC Voltage: | 10mV ~ 2Vrms (FREQ. ≤ 1MHz), 10mV ~ 1Vrms (FREQ. > 1MHz or FREQ. ≤ 1MHz and RO=25Ω) | | | | | |
| AC Current: | 100μA ~ 20mArms (RO=100Ω), 200μA ~ 40mArms (RO=25Ω) | | | | | |
| DCR Voltage: | 1Vdc (40mA max.) | | | | | |
| MEASUREMENT PARAMETERS | | | | | | |
| | Maximum four parameters can be measured and displayed at the same time Impedance (Z), Inductance (Ls / Lp), Capacitance (Cs / Cp), AC Resistance (Rs / Rp), Quality Factor (Q), Dissipation Factor (D), Admittance (Y), Conductance (G), Reactance (X), Phase Angle (θd / θr), Susceptance (B), DC Resistance (Rdc) | | | | | |
| LIST MEASUREMENT | | | | | | |
| Listed Steps: | 15 | | | | | |
| Listed Parameters: | Freq/Vac/Iac/DC Bias/Comp/BIN | | | | | |
| Trigger: | AUTO, REPEAT, SINGLE | | | | | |
| SWEEP MEASUREMENT | | | | | | |
| Swept Graphical: | Two of measurement parameters | | | | | |
| Swept Parameters: | Freq/Vac/Iac/BIAS V, Keep Trace | | | | | |

| SPECIFICATION | | | | | | |
|---|--|------------------|------------------|------------------|------------------|-----------------|
| MODEL | LCR-8250A | LCR-8230A | LCR-8220A | LCR-8210A | LCR-8205A | ----- |
| | ----- | LCR-8230 | LCR-8220 | LCR-8210 | LCR-8205 | LCR-8201 |
| EQUIVALENT CIRCUIT MODEL ANALYSIS ("A" series only) | | | | | | |
| | 7 different equivalent circuit models. The 3-components analysis model is composed of 4 types, and the 4-components analysis model covers 3 types. | | | | | |
| OTHER FUNCTIONS | | | | | | |
| Auto Level Control (ALC): | Standard | | | | | |
| DC Bias: | 0 ~ ±12V | | | | | |
| Handler: | PASS, FAIL and OK, NG or BIN 1-9 | | | | | |
| OTHER FEATURES | | | | | | |
| Correction: | Open/Short/HF Load/Load | | | | | |
| V/I Monitor: | Vac, Iac, Vdc, Idc | | | | | |
| Comparator: | Value, Δ, Δ % | | | | | |
| Buzzer: | OFF, Pass, Fail | | | | | |
| Average: | 1 to 64 | | | | | |
| DISPLAY | 7" LCD color display (800x480) | | | | | |
| INTERFACE | USB/GPIB/LAN/RS-232/Handler/USB Host/TRIGGER Input | | | | | |
| POWER SOURCE | AC 100V~240V, 50/60Hz; Consumption: 65VA (max.) | | | | | |
| DIMENSIONS & WEIGHT | 346 (W) X 145 (H) X 335 (D) mm; Approx. 3.3kg | | | | | |

Ps: Difference between "A" series and "Non-A" series is only the "A" series provides the equivalent circuit model analysis.

| | Equivalent Circuit Model | Typical Frequency Characteristics |
|---|---|---|
| A |  |  |
| B |  |  |
| C |  |  |
| D |  |  |

| | Equivalent Circuit Model | Typical Frequency Characteristics |
|---|--|---|
| E |  |  |
| F |  |  |
| G |  |  |